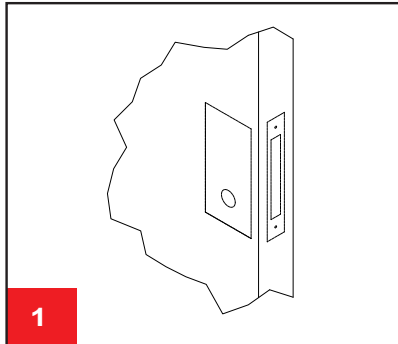
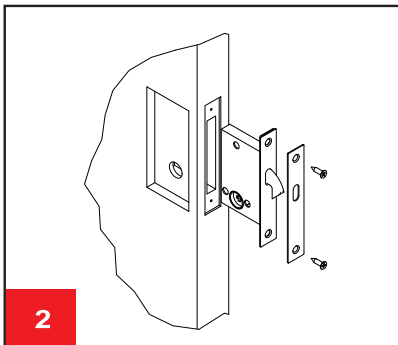


Instructions

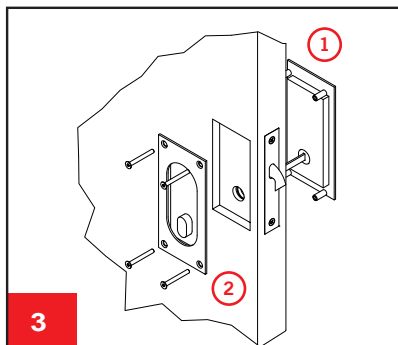


1. Door Preparation – Installation height from the finished floor height is recommended between 900mm – 1100mm.

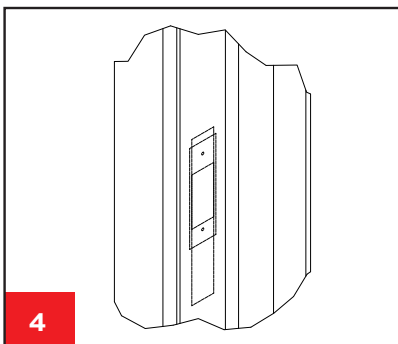
- Mark installation centrelines on both door faces and the door edge in accordance with the template overleaf.
- Mark and prepare a mortice of 85mm (h) x 12mm (w) x 60mm (d) for the lock case.
- Mark and chisel out for the lock body face plate 120mm (h) x 20mm (w) to a recess of 2mm. Use lock body faceplate as a template.

**2. Lock Installation**

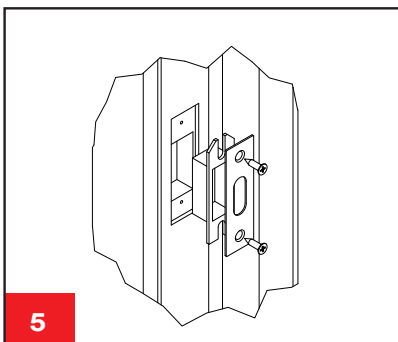
- Mark out and drill 16mm diameter hole in door at centre of lock spindle hub for connecting tail.
- Ensure the centre of the hole is perfectly aligned to suit the lock spindle hub.
- Drill 4 x 7mm diameter holes through door for flush pull fixing posts. Drill from both sides of door to meet in the middle.
- Mortice out both sides of the door for flush pull 52mm (w) x 110mm (h) x 9mm (d).
- Install lock body into mortice cut out and fix in place using screws provided.

**3. Assembly Of Turns**

- Assemble the external privacy button escutcheon with fixing posts into position (1) and then place into position the internal visible fix turn escutcheon (2).
- Cut escutcheon connecting flat spindle to suit door thickness.
- Fasten the two flush pulls together using the metal thread screws provided.
- Ensure the hook lock bolt moves freely and readjust flushpulls if necessary.

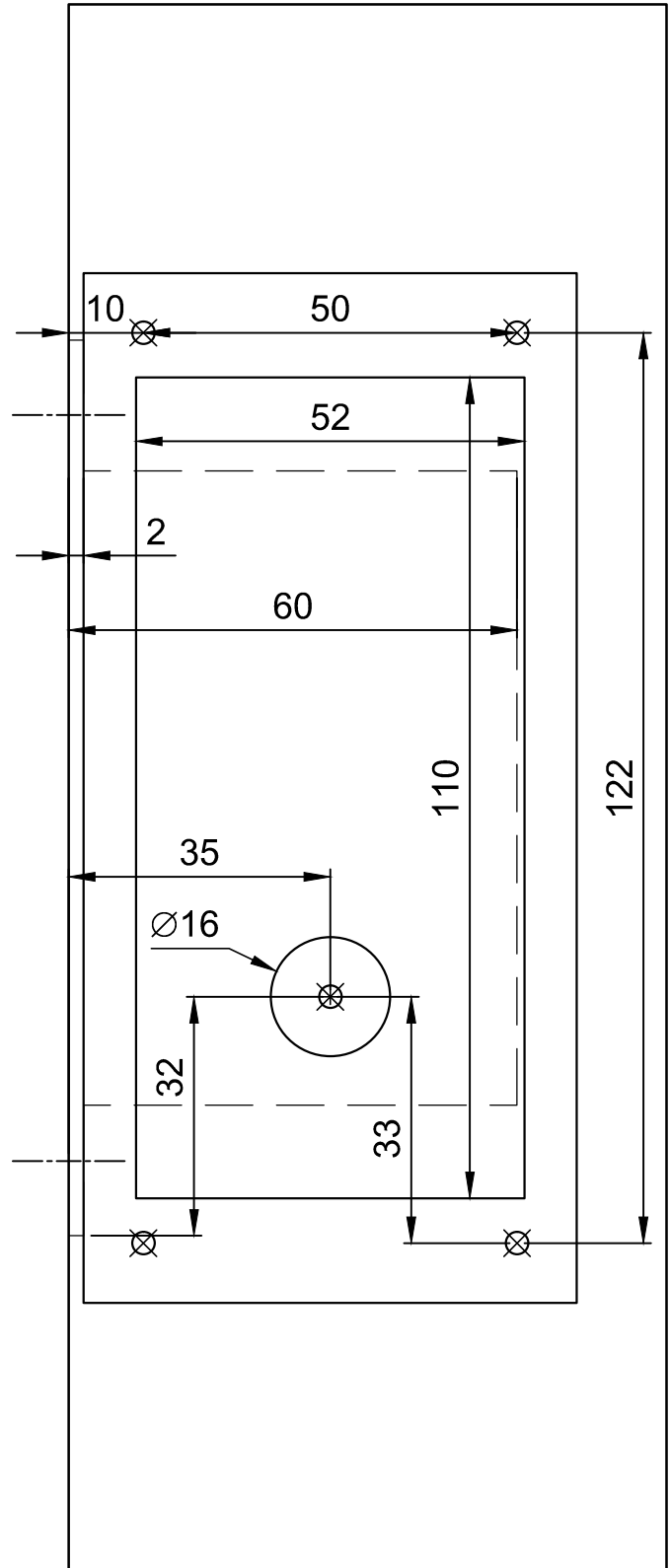
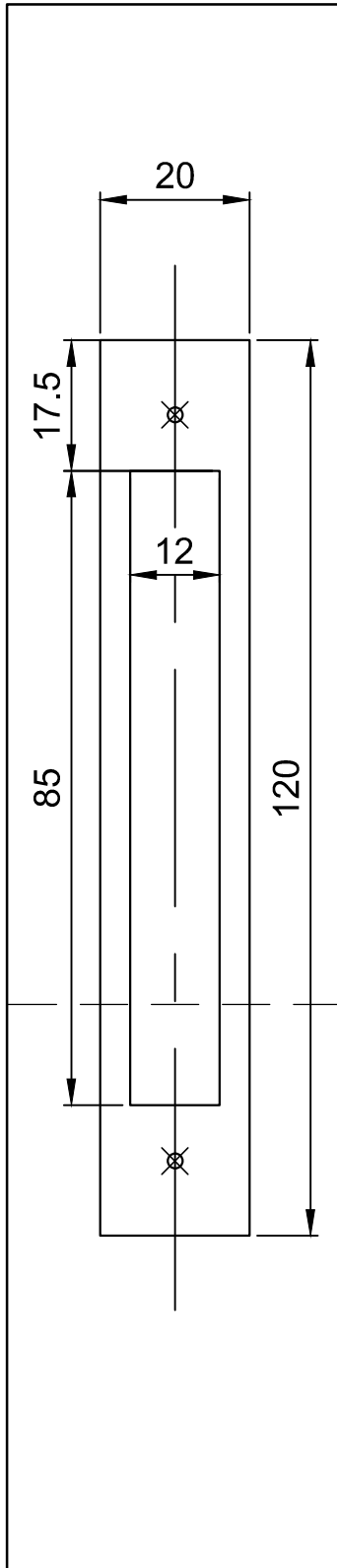
**4. Frame Keeper Preparation**

- Slide door into closed position. Mark centre of the lock bolt in retracted position on to frame. Centre of keeper hole is to be located centre of bolt.
- Position keeper plate and scribe around the outside and inner keeper hole.

**5. Frame Keeper Installation**

- Mortice centre keeper hole to a depth of 20mm. Note: ensure mortice is cut low enough to clear the bolt when it is extended. Bolt extends outwards and downwards.
- Rout out strike plate to a depth of 3mm so that keeper plate is flush with frame surface.
- Rout out for strike box 42mm high X 20mm wide x 20mm deep.
- Fit and fasten the strike box and plate with two screws provided.

Mortice preparation dimensions



*Paper templates might distort. Only the indicated measurements are therefore obligatory.

*Subject to change without notice. AMD03014 06/15