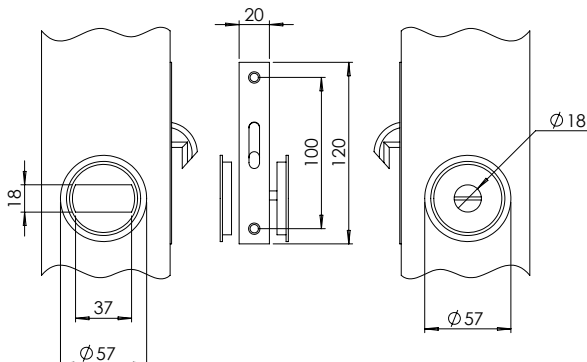


madinoz MDZ CSL30

FINISH AVAILABLE IN **SSS** **PSS**



Product No.	Diameter mm	Bucket Depth mm
MDZ CSL30	55	12

NOTE:
Minimum door thickness 32mm

Unit 3 / 1-7 Ada Avenue, Brookvale NSW 2100 Australia. Telephone: (02) 9939 2007 Facsimile: (02) 9939 8432
E-mail: sales@madinoz.com.au Website: www.madinoz.com.au